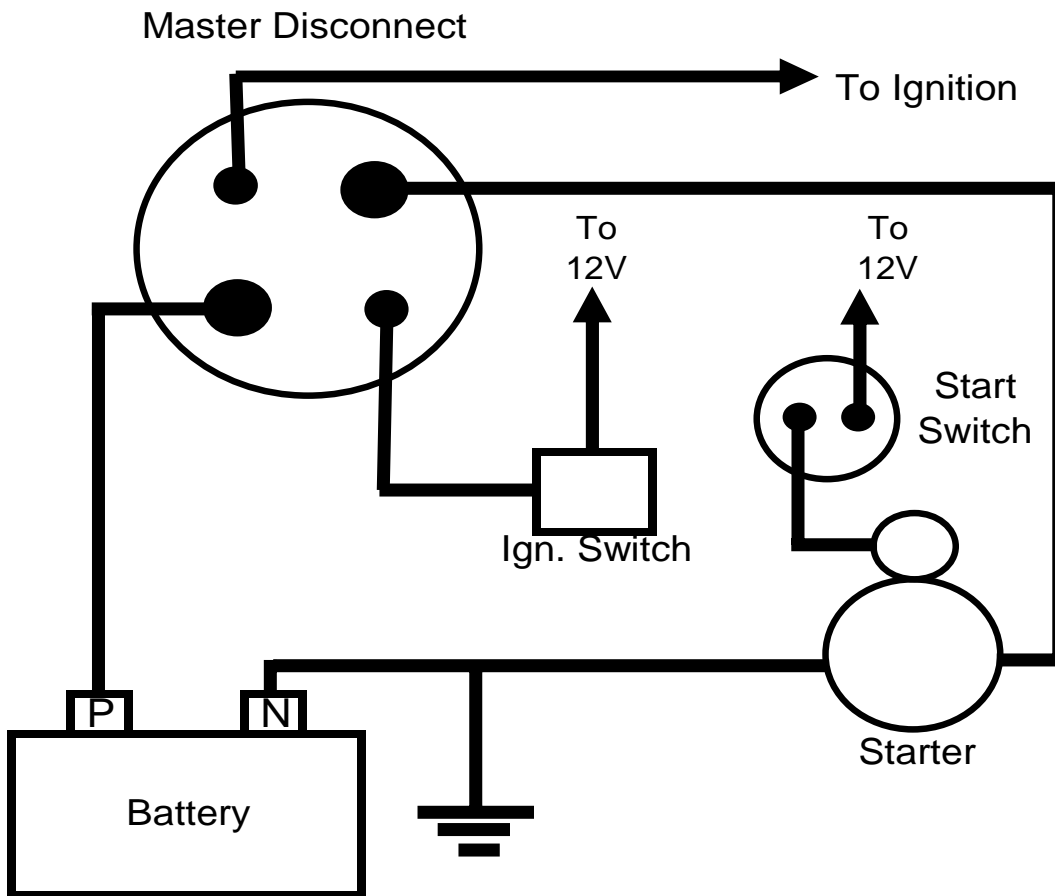


Fastronix Master Disconnect

Wiring diagram for #303-002 and #930-301 2-pole disconnects for use with alternator systems for alternator shutdown.

NOTE: Hex nuts against base must remain stationary: Must not be tightened or loosened. Secure power cables to mounting surface no greater than 10" from switch to remove strain on studs



Note: May also run alternator field wire through disconnect switch instead of ignition circuit. **Do not** run Alternator output through disconnect switch.

www.fastronixsolutions.com