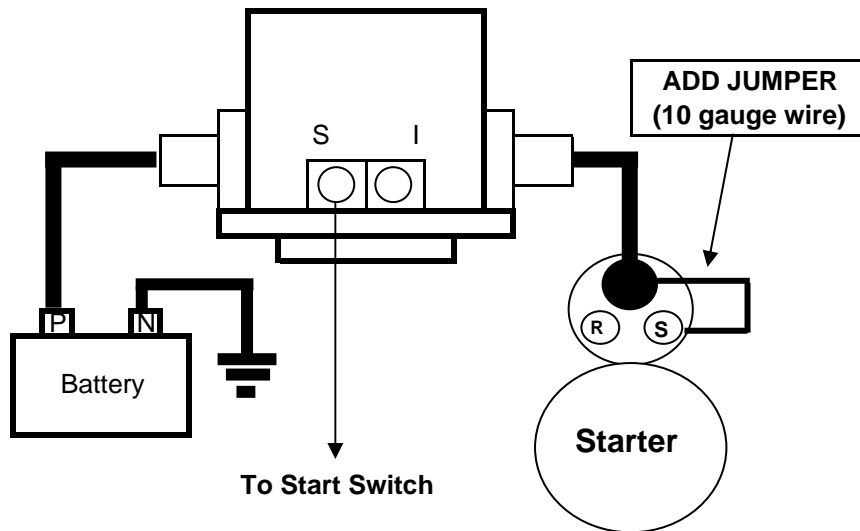


Fastronix Remote Starter Solenoid #201-105



NOTE: Solenoid case must be grounded.

Installation Instructions

1. Disconnect battery cables from battery.
2. Install a jumper on the solenoid of the starter wiring the battery terminal to the "S" terminal.
3. Re-route original starter battery cable (and any other wires connected to the battery terminal on starter) to the large terminal of the new remote solenoid.
4. Route a new battery cable from the other large terminal of the new remote solenoid to the battery terminal on the starter solenoid.
5. Re-route wire that went to "S" terminal on starter to the "S" terminal on new remote solenoid.
6. If vehicle has a wire on the "R" terminal of the starter, re-route this to the "R" terminal of the new remote solenoid.
7. Reconnect battery cables at battery and check for proper solenoid operation