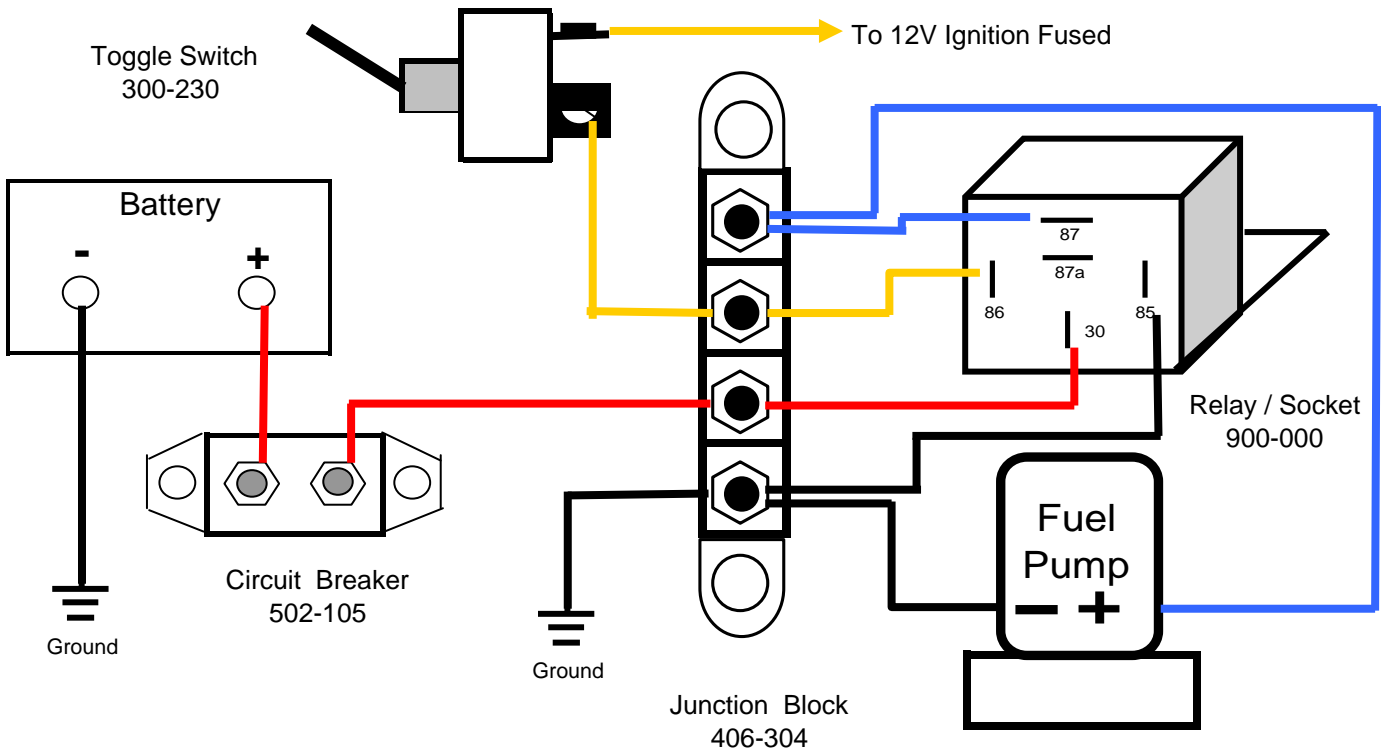


Fuel Pump Wiring Diagram



Fastronix Parts List

| | |
|------------------------------------------|------------------------------------------------|
| 1 - #900-000 - Relay and Socket Assembly | 1 - #502-105 - 30 Amp Circuit Breaker |
| 1 - #406-304 - 4 Stud Junction Block | 1 - #300-230 - Heavy Duty Sealed Toggle Switch |

Operation

Using a relay circuit to turn on your fuel pump provides maximum efficiency and reliability in fuel pump operation. Turning dash mounted toggle switch on energizes relay which in turn supplies electrical current from your battery through the circuit breaker to the fuel pump.

Installation

Follow wiring diagram. Install relay close to pump and the circuit breaker near battery. Circuit breaker rating is based on current draw of the fuel pump so adjust value if necessary.