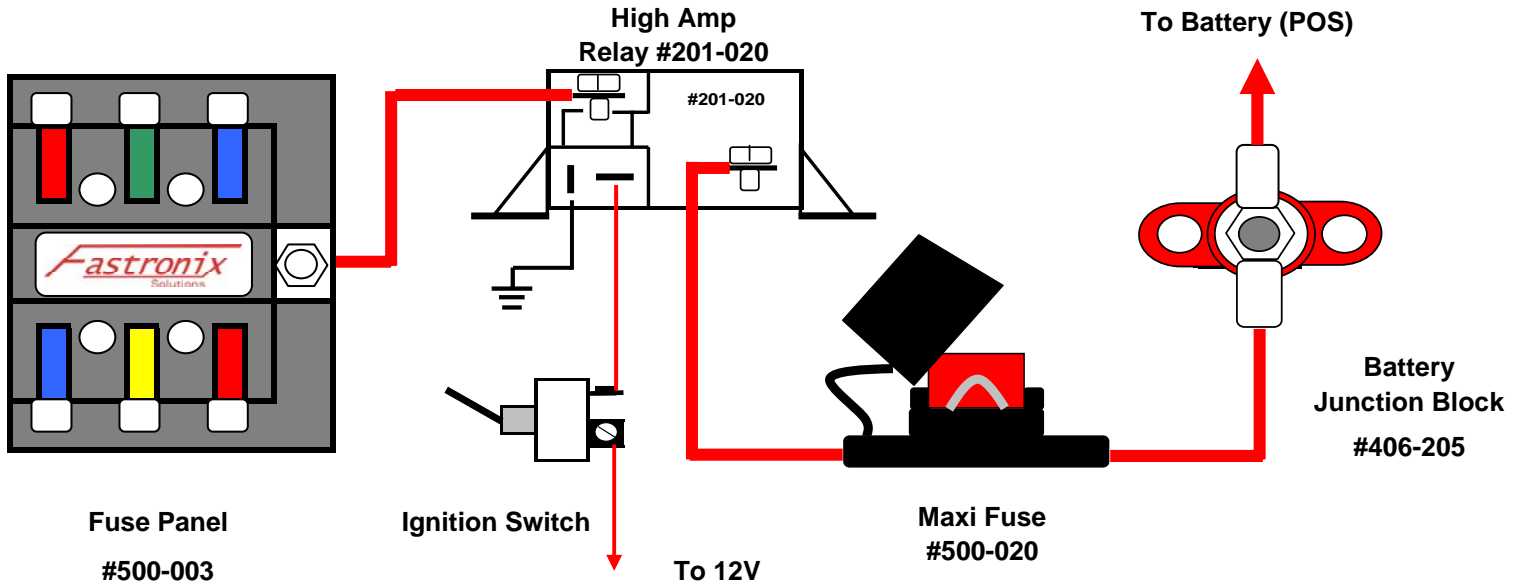


Ignition Relay Circuit



Fastronix Parts List

1 - #201-020 - 75 Amp Relay	1 - #406-205 - 5/16" Stud Junction Block
1 - #500-003 - 6 Circuit Fuse Panel	1 - #500-020 - Maxi Fuse Holder with Fuse
1 - #300-230 - SPST Sealed Toggle Switch	

Operation

Allows "Ignition On/Off" control of many accessories. High amp relay is activated via vehicles ignition switch, which then turns on an auxiliary fuse panel. This panel could be used for lights, fuel pump, delay box, throttle stop or any other device that is better controlled through the ignition system. Prevents battery drain from left on equipment. Uses high amp Maxi fuse to protect circuits.

Installation

Follow wiring diagram. Use appropriate wire gauge based on total circuit load and length of main power wire. Try to install Main fuse, relay and fuse panel close to battery junction block. Wire individual circuits to fuse panel and install suitable fuse.